



Electronic helmets

ZEPHYR / FLIP'AIR

The ultimate welder protection

Discover a completely new solution designed to protect welders in the most effective way in efficiency and comfort.

With the ZEPHYR/FLIP'AIR solution, you will find in a rugged carry bag:

- The ZEPHYR or FLIP'AIR helmet,
- The ZEPHYR air flow system,
- Protected hose connection,
- A shoulder strap,
- A battery charger,
- An air flow-meter,
- One extra filter.

Helmet with powered and filtered airflow



2011-521

CE EN 175 for helmet
CE EN 379 for LCD cell



2010-009

Flip-up LCD filter for grinding

2012-034



New: grinding mode with external button

Two autodarkening LCD filters with wide vision field

Advance 3200

The new version Advance 3200 presents 4 innovations:

- Auto-start function: it is not necessary to push the "on" button before starting to weld. Automatic starting.
- Reset button: in case of a malfunction of the electronic system, press the "reset" button twice to re-initialize the original parameters.
- Grinding mode: a fixed shade 4 is activated by an external button, to ensure optimum protection when grinding.
- All digital setting.



2011-468

Warranty 2 years

Advance 4500 / 4500 i

The top-of-the-range solution for any application:

5 adjustment modes from an LCD screen with digital keys:

- Welding: variable shades 4/9-13, 4 optical sensors, regulation of the sensitivity and return to a clear shade.
- Grinding: activation of the filter in clear shade level 4. (except on FLIP'AIR with its flip-up front filter)
- Cutting, low current welding: adjustable shades 5 to 9 for TIG process low intensity, microplasma, oxy-fuel gas welding...
- "X mode": adjustable shade 4 to 9-13 with magnetic sensors for outside or obscured arc welding...



2011-487

Warranty 2 years

Tel.: + 33 134 213 333 - Web: www.weldline-alw.com

WELDLINE is an Air Liquide Welding trademark

PROFESSIONAL WELDING PRODUCTS BY AIR LIQUIDE WELDING

	1 ZEPHYR Advance 3200	2 ZEPHYR Advance 4500	3 FLIP'AIR 4500 i
Optical class	1 / 1 / 1 / 2		
Switching time light to dark	0.05 ms		
Switching time dark to light	10 positions from 0.1 s to 1 s setting per digital key		
Delay setting	10 positions setting per digital key		
Mode	Yes shade 9 to 13 per digital key Yes shade 4 (per external button) Yes shade 5 to 9 per digital key No No		
Welding	Yes shade 9 to 13 per digital key		
Grinding	Yes shade 4 (per external button) - For FLIP'AIR flip-up LCD for grinding		
Cutting	Yes shade 5 to 9 per digital key		
X mode*	Yes		
Infotrack system**	Yes		
Sensors	4 independent optical sensors	4 independent optical sensors - Magnetic in "X" mode	
Viewing area	97 x 60 mm		
Constant UV/IR protection	Yes		
Battery type	2 lithium CR2450 3 Volts		
Mix power (battery/cell)	Yes		
Temperature scale	Use : -5 °C to +55 °C - Storage : -30 °C to +70 °C		
Weight	510 g (helmet + LCD filter)		
Standard	LCD filter: CE EN 379 - Helmet: CE EN 175		

* X-mode: this mode allows welding in outdoor conditions or with very low arc current (lens turn when it's sense the welding current)

** Infotrack system: provides useful information (current time - total welding time - alarm - temperature)

To order

Package (helmet + airflow system+ LCD filter)	W000372466	W000372468	W000372470
LCD filter	W000372472	W000372462	W000372469

The ZEPHYR / FLIP'AIR air flow system

- Air flow system:
 - 2 flows rates** (low 160 l/min and high 200 l/min).
- This equipment includes an indication of the **flow chosen**, an indication of the **battery charge**, and **two alarms** in case of flow insufficiency: **a tone and a vibration**. This is important for the welder who is often in a noisy environment. A specific system **sends the tone through the hose** to bring the sound to the welder.
- The belt as well as the shoulder strap are made in **flame retardant material**, a big advantage also.
- The belt includes a cushion to ensure a high comfort level.
- Disconnecting the battery is easy** with only one button to push. It is a **lithium battery with a 8-hour lifetime duration**. A stronger one can be put in place for special cases with **14-hour duration ±5%** (on request). No need to fully discharge the Li-Ion battery before recharging it.

- Opening the filter is simple by turning a quarter to the left. Two symbols indicate if it is locked or open, this is also indicated inside the filter box.
- Inside, 3 kinds of filters can be included.
- One pre filter against the biggest particles
 - One particle filter against the dust (> 0.3 micron)
 - One carbon filter against the fume, odour.

The whole system is water proofed



Hose connection and hose cap

The connection between the flow system and the helmet is via the hose. The connection with the air flow system is water proof. The helmet includes a quick connection allowing flexibility when the welder moves his head. The hose is protected with an outer covering (75% cotton, 25% Kevlar).



Flow circulation

You can choose between:

- air flow from the top of the helmet (1)
- or a lateral flow coming from each side at the mix level (2) (only for ZEPHYR),
- or a mixed of this two solutions.

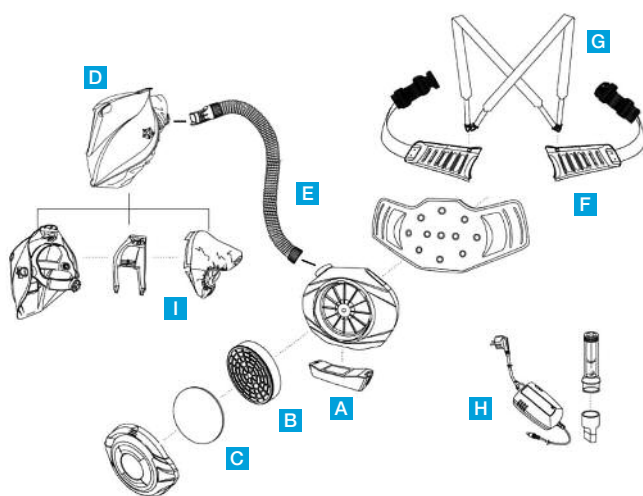
These features ensure excellent welder comfort.





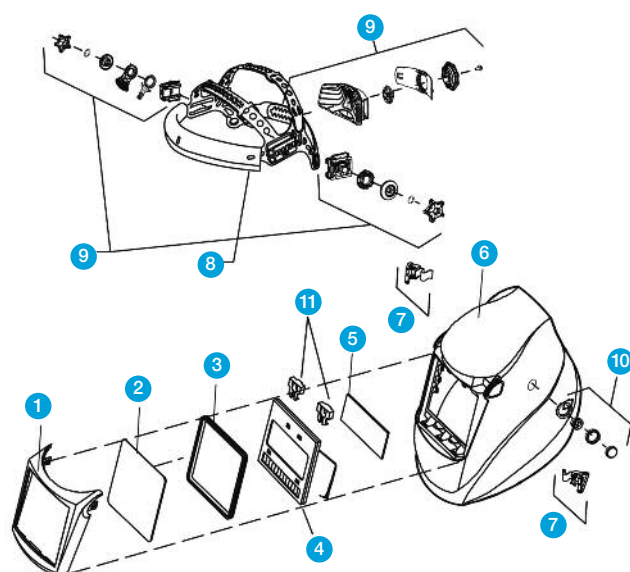
Electronic helmets

Spare parts for ZEPHYR / FLIP'AIR



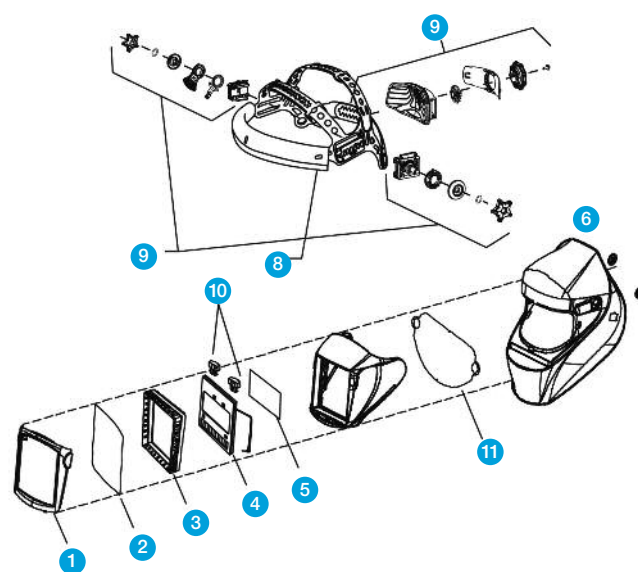
ZEPHYR air flow system

	To order
A 8 hours battery (\pm 5%)	W000271210
A 14 hours battery (\pm 5%)	W000274379
B Particle filter P3	W000271208
C Pre filter	W000271207
Carbon filter (odours filter)	W000271209
D ZEPHYR shell without lens	On request
E Hose 110 cm	W000271205
Hose protective cover	W000271206
F Comfort belt (size 70 - 113 cm)	W000271203
G Shoulder strap	W000271204
H Battery charger	W000271211
I Isolation cover in fabric	W000272540



ZEPHYR 3200 / 4500

	To order
1 - Front cover lens holder	W000272828
2 - Front cover lens	W000261993
3 - Gasket front cover lens	W000261992
4 - LCD filter	W000372472 (3200) W000372462 (4500)
5 - Inside cover lens	W000261994
6 - Helmet shell	On request
7 - Lens holder buttons (left & right)	W000276258
8 - Fabric sweatband	W000261999
9 - Headgear	W000373091
10 - External grinding button kit	On request
11 - Spare batteries	W000260920



FLIP'AIR

	To order
1 - Front cover lens holder	W000272828
2 - Front cover lens	W000375551
3 - Gasket front cover lens	On request
4 - LCD filter	W000372469
5 - Inside cover lens	W000261994
6 - Helmet shell	On request
7 - Lens holder buttons (left & right)	On request
8 - Fabric sweatband	W000261999
9 - Headgear	W000373091
10 - Spare batteries	W000260920
11 - Grinding cover kit	W000374799