

Extraction Fan



Description

The FAN 28 is a wall-mounted extraction fan that provides extraction for T-Flex/Flex/UltraFlex extraction arms with or without filtration. It needs to be mounted on a separate wall bracket.

Applications

The FAN 28 is intended to be used for the following applications:

- MIG-MAG/GMAW welding
- TIG welding
- FCAW welding
- stick/MMAW welding





Do **not** use the FAN 28 for the following applications or in the following circumstances:

- arc-air gouging
- extraction of aggressive fumes and gases (e.g. from acids, from alkaline, from soldering paste containing lithium)
- extraction of hot gases (more than 45°C/113°F continuously)
- grinding aluminum and magnesium
- flame spraying
- extraction of cement, saw dust, wood dust etc.
- sucking cigarettes, cigars, oiled tissues and other burning particles, objects and acids
- explosive environments or explosive substances/gases



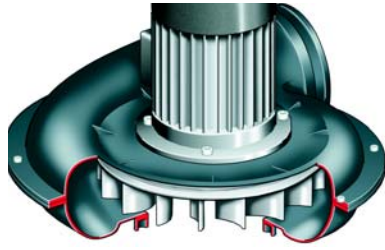
Specifications

Physical dimensions and properties	
Material housing	polypropylene
Colour:	
- Housing	- grey RAL 7024
- Motor	- black RAL 9005
Inlet diameter	Ø 200 mm (Ø 7.87 in.)
Outlet diameter	Ø 160 mm (Ø 6.30 in.)
Weight (net)	15 kg (33 lbs.)
Performance	
Fan type	radial
Unrestricted airflow	2400 m ³ /h (1413 CFM)
Speed	2800 rpm
Noise level	69 dB(A) according to ISO 3746
Electrical data	
Power consumption	0,75 kW (1 HP)

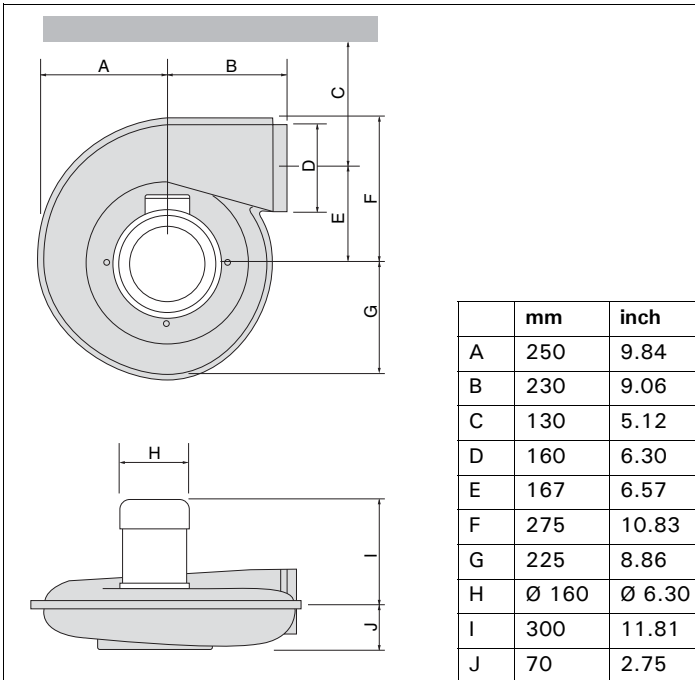
Available connection voltages	115V/1 ~ /50Hz; 230V/1 ~ /50Hz; 230V/3 ~ /50Hz; 400V/3 ~ /50Hz; 230V/1 ~ /60Hz; 230V/3 ~ /60Hz; 400V/3 ~ /60Hz
Max. start/stops per hour	30
Insulation class	F
Protection class	IP 55
Ambient conditions	
Min. operating temperature	5°C (41°F)
Nom. operating temperature	20°C (68°F)
Max. operating temperature	45°C (113°F)
Max. relative humidity	80%
Outdoor use allowed	no
Storage conditions	- 5-45°C (41-113°F) - relative humidity max. 80%
Product combinations	
T-Flex	telescopic extraction arm
Flex 2/3/4	flexible extraction arm
UltraFlex 3/4	ultraflexible extraction arm
TNB/NMB	wall mounting bracket
Available options	
SAS 160	silencer; noise reduction 5 dB(A)
Motor protection switch:	FAN 28:
- MPS 10.0-16.0 A	- 115V/1 ~ /50Hz
- MPS 4.0-6.3 A	- 230V/1 ~ /50Hz
- MPS 2.5-4.0 A	- 230V/3 ~ /50Hz
- MPS 1.6-2.5 A	- 400V/3 ~ /50Hz
Thermal relay:	FAN 28:
- NTR 10.0-14.0 A	- 115V/1 ~ /50Hz
- NTR 4.0-6.3 A	- 230V/1 ~ /50Hz
- NTR 3.0-4.7 A	- 230V/3 ~ /50Hz
- NTR 1.7-2.4 A	- 400V/3 ~ /50Hz
Scope of supply	
Fan - Hardware	
Order information	
Article numbers:	
- 7905220020	- FAN 28 115V/1 ~ /50Hz
- 7905220010	- FAN 28 230V/1 ~ /50Hz
- 7905220050	- FAN 28 230V/3 ~ /50Hz
- 7905220040	- FAN 28 400V/3 ~ /50Hz
- 7905222030	- FAN 28 230V/1 ~ /60Hz
- 7905222020	- FAN 28 230V/3 ~ /60Hz
- 7905222040	- FAN 28 400V/3 ~ /60Hz
Number/package	1
Shipping data	
Gross weight	
Packing dimensions	
Max. number/pallet	10
Harmonized Tariff Code	84213920
Country of origin	the Netherlands
Approvals/certificates	
	
	EU Directive 2002/95/EC (RoHS) (valid as of July 2006)

Features

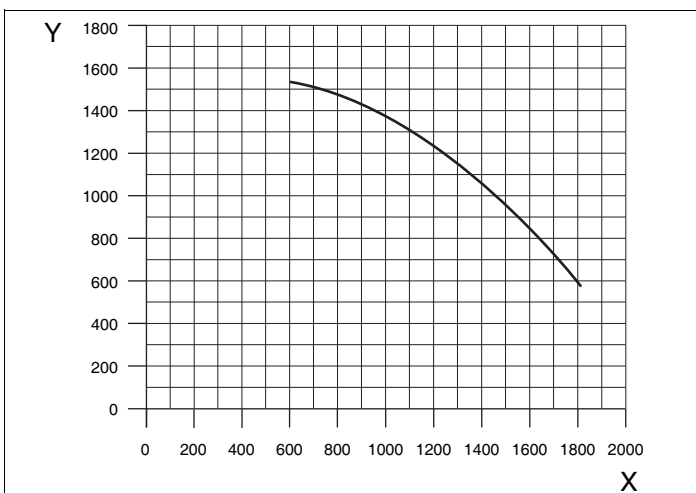
Radial fan wheel



Dimensions



Fan curve



X = Airflow (m³/h)

Y = Static pressure (Pa)

Product type : FAN 28
 Art. no. : refer to order information
 Product category : extraction fans

Version : 191207/A

Euromate BV
 P.O. Box 9350
 1800 GJ Alkmaar
 The Netherlands
www.euromate.com

euromate 

KEMA CERTIFICATE
 ISO 9001:2000
 DUTCH COUNCIL FOR ACCREDITATION CB12