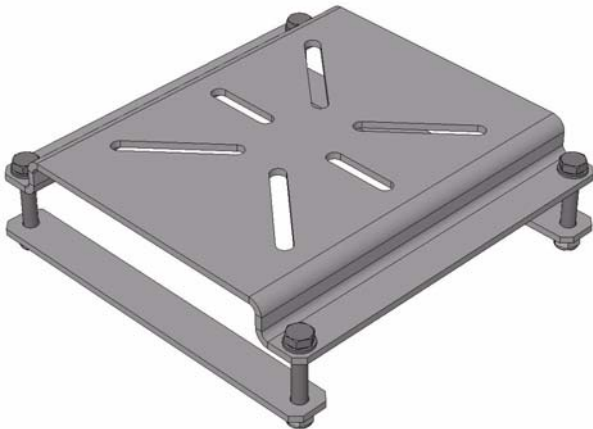


# Bench Vice Mounting Bracket

## Bench Vice Mounting Bracket for downdraft table



### Description

Universal mounting bracket for bench vice. To be connected to the standard work grid of a downdraft table. Bench vice not included.

### Specifications

#### Physical dimensions and properties

Material	zinc plated steel
Colour	natural
Weight (net)	2,1 kg (4.6 lbs)
<b>Product combinations</b>	
DNF	downdraft table to be connected to external extraction and filtration facility (with standard work grid only)
DFD	downdraft table with disposable filter (with standard work grid only)
DFS	downdraft table with manual self-cleaning filter (with standard work grid only)
DFS/A	downdraft table with automatic self-cleaning filter (with standard work grid only)

#### Scope of supply

Mounting bracket - Strips (2)- Bolts M6 (4) - Nuts M6 (4) - Washers (8)

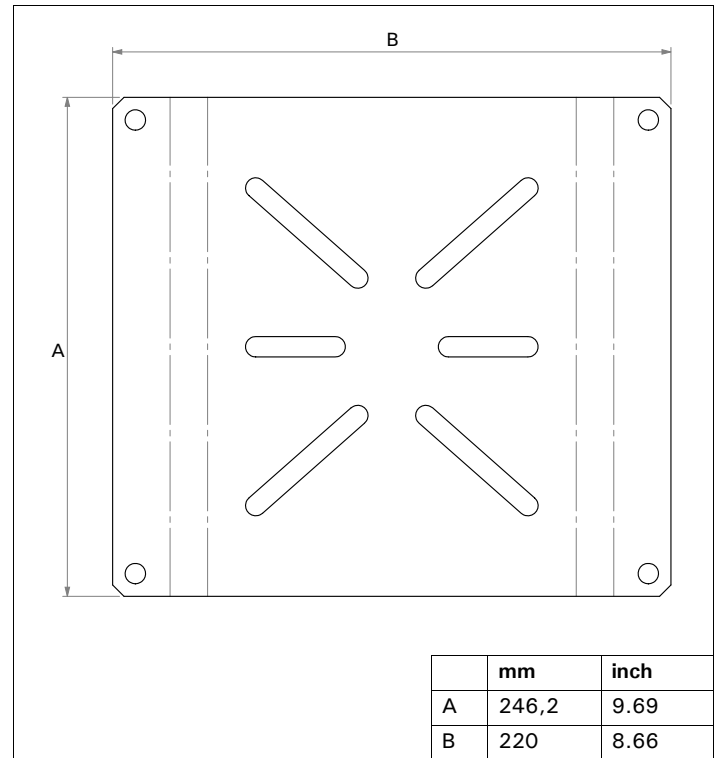
#### Order information

Article number	0040400030
Number/package	1
<b>Shipping data</b>	
Gross weight	2,3 kg (5.1 lbs)
Packing dimensions	310 x 310 x 85 mm (12.2 x 12.2 x 3.4 in.)
Harmonized Tariff Code	84213920
Country of origin	Sweden

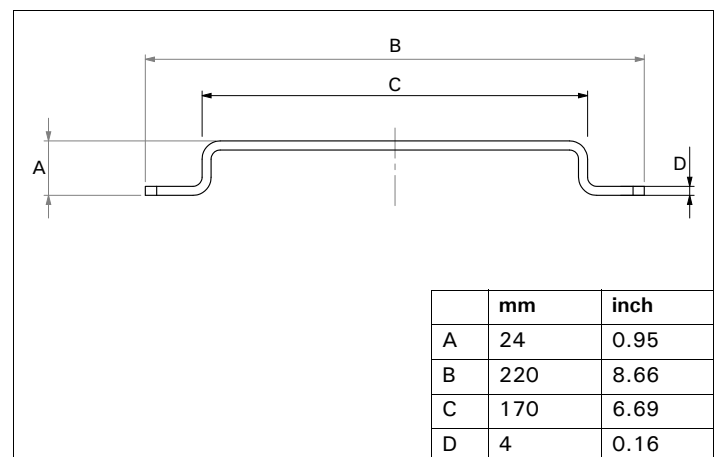
#### Approvals/certificates



### Dimensions



Bench Vice Mounting Bracket (top view)



Bench Vice Mounting Bracket (side view)

Product type : Bench Vice Mounting Bracket  
 Art. no. : 0040400030  
 Product category : options and accessories  
 Version : 030408/0

Euromate BV  
 P.O. Box 9350  
 1800 GJ Alkmaar  
 The Netherlands  
 www.euromate.com

