

Connection Piece


Connection piece for downdraft table



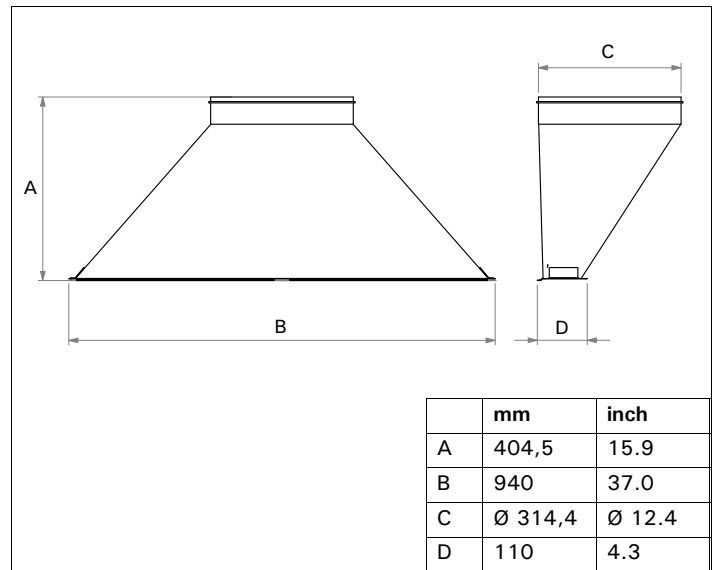
Description

Reducing piece to connect a downdraft table to an extraction duct. It is to be mounted on top of the backdraft panel. Downdraft table to be connected to an external extraction/filtration facility.

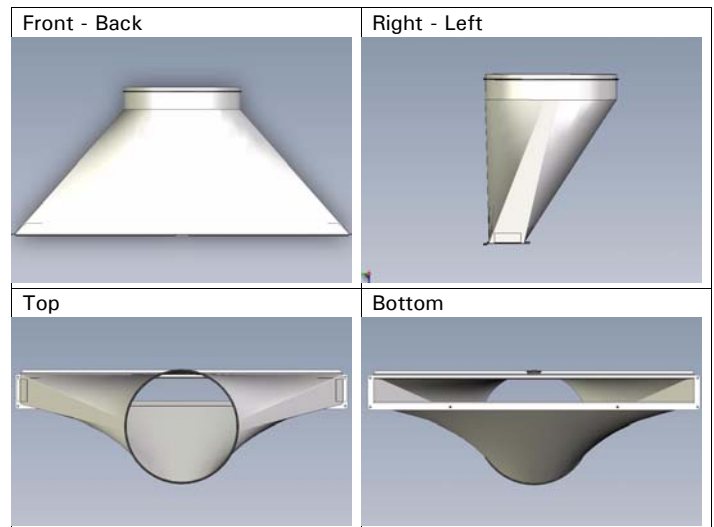
Specifications

<ul style="list-style-type: none"> Physical dimensions and properties 	
Material	galvanized steel
Colour	natural
Weight (net)	4,2 kg (9.3 lbs)
<ul style="list-style-type: none"> Product combinations 	
DNF	downdraft table to be connected to external extraction and filtration facility
<ul style="list-style-type: none"> Scope of supply 	
Connection piece - Bolt M6x20 (6) - Nut M6 (6) - Washer (6)	
<ul style="list-style-type: none"> Order information 	
Article number	
Number/package	1
<ul style="list-style-type: none"> Shipping data 	
Gross weight	6,5 kg (14.3 lbs)
Packing dimensions	685 x 420 x 750 mm (27.0 x 16.5 x 29.5 in.)
Harmonized Tariff Code	84213920
Country of origin	Sweden
<ul style="list-style-type: none"> Approvals/certificates 	
	

Dimensions



Views



Features

Downdraft table can be placed against the wall due to shape of connection piece.



Product type : Connection Piece
 Art. no. :
 Product category : options and accessories
 Version : 050908/A

Euromate BV
 P.O. Box 9350
 1800 GJ Alkmaar
 The Netherlands
 www.euromate.com

