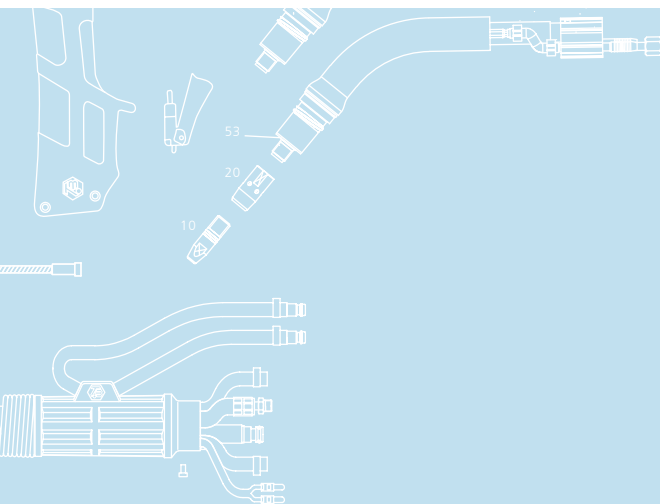




Top 2000 TBi 9W 3C



3-circuit water cooling system

Perfectly suited for pulsed arc welding

For welds with extreme heat reflection

Technical data

MIG / MAG (GMAW) Semi-automatic welding torch TBi 9W 3C

Rating at 100% duty cycle
(10 min. cycle)

- Mixed gas:	600 A
- CO ₂ :	650 A

Cooling method	3-circuit water cooling
----------------	-------------------------

Wire diameter	1.2 - 1.6 mm
---------------	--------------

Gas flow	15 l/min
----------	----------

Technical specification	according to IEC 60974-7
-------------------------	--------------------------

Weight with 1.5 m cable	2.0 kg
-------------------------	--------

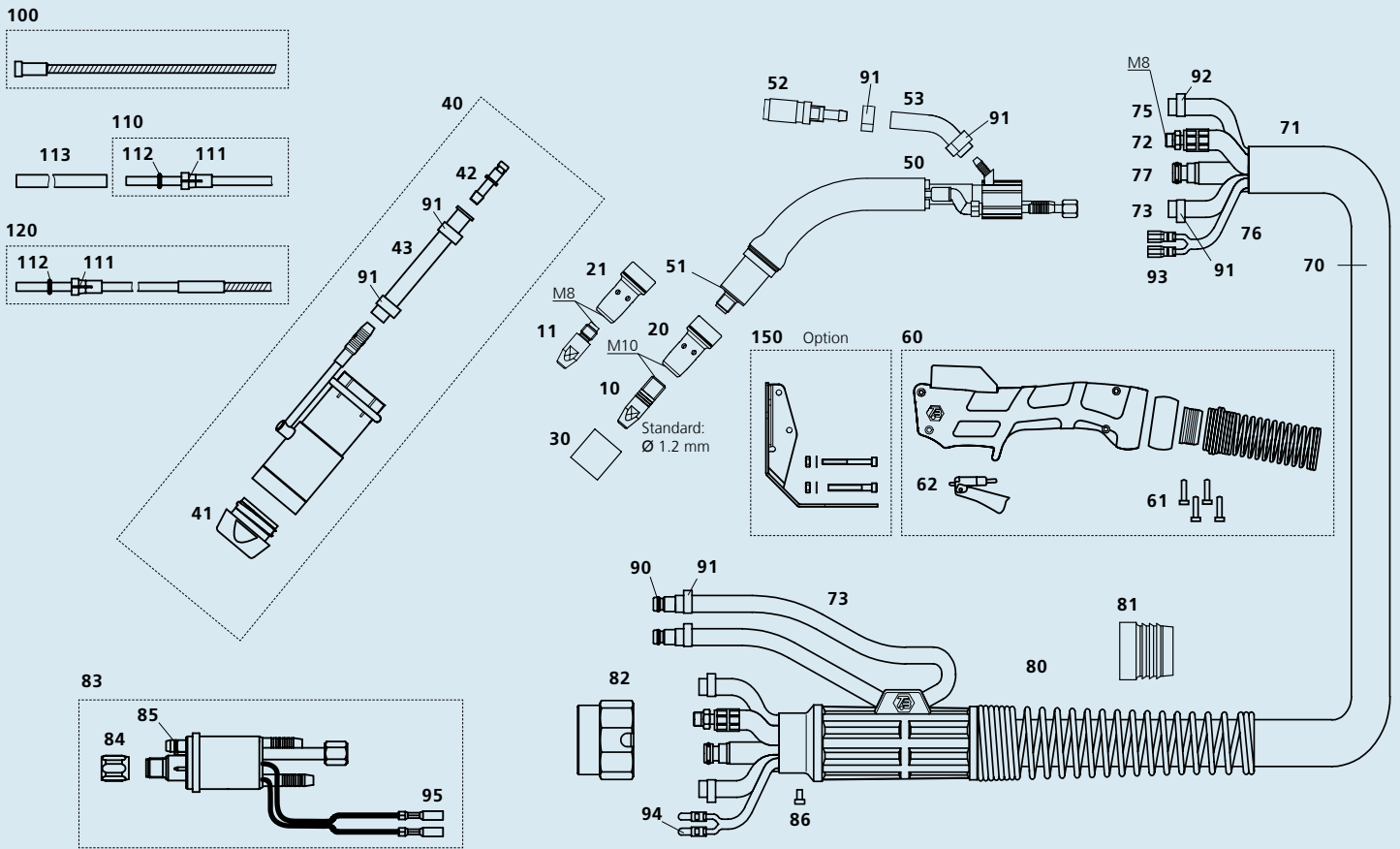
Connection	Euro-Central connector other connectors are available upon request.
------------	---

Torch rating will be reduced when using pulsed-arc power sources. Special torch necks and custom lengths of the cable assembly are available upon request.

Ordering information

TBi 9W 3C ESW, 50° bent 171P5YA5_0*

* At the blank, please insert 3, 4 or 5 for a torch length of 3, 4 or 5 m.



Pos.	Description	Part. no.	Pos.	Description	Part. no.
Contact tips					
▶ 10	Contact tip M10x33, ECU	340P_1402*	77	Wire conduit yellow (Top 2000)	356P0C0C_0*
10	Contact tip M10x33, CuCrZr	343P_3402*	80	Cable support 3 parts cpl. with spring	701P101071
11	Contact tip M8x30, ECU	340P_1262*	81	Clamping ring for outer cover	600P102201
11	Contact tip M8x30, CuCrZr, HD	343P_3262*	82	Adaptor nut	701P001013
11	Contact tip M8x30 Alu, ECU	341P_1262*	83	Central adaptor ESW cpl., moveable pins (Top 2000)	701P101006
Tip holders					
▶ 20	Tip holder M10 / L=27 mm, CuCrZr	342P010071	84	Sleeve nut M10x1	701P002005
21	Tip holder M8 / L=30 mm, CuCrZr	342P008071	85	O-ring 4.0x1.0 mm (gas nipple)	365P100040
Gas diffusers / Nozzle insulators					
▶ 30	Nozzle insulator glasfiber	346P054860	86	Slotted screw M4x6	100P008401
Gas nozzles					
▶ 40	Nozzle NW 16, water cooled, cpl., L=81 mm	345PA22471	90	Quick connector	701P002064
▶ 41	Nozzle front part NW 16 mm	171P102040	91	Hose clamp Ø 9.5 with ring	373P100095
41	Nozzle front part NW 18 mm	171P102003	92	Hose clamp Ø 8.7	371P000087
42	Quick connector	956P102001	93	Cable lug, flat	375P000023
43	Reinforced rubber hose, black 5x1.9 mm	303P040000	94	Insulated connector, male, round	375P000004
Spare parts					
50	Torch neck TBi 9W 3C, 50°	171P101008	95	Insulated connector, female, round	375P000003
51	Insulator	171P102021			
52	Quick connector (4 mm)	171P102045			
53	Braided rubber hose, black 4.7x2 mm	303P170000			
60	Handle blue, cpl. kit (TBi 9W 3C)	380P220107			
61	Cross recessed screw M3.5x14	100P008413			
62	Trigger, red, 2 poles	385P021016			
70	Cable assembly TBi Top 2000, HD	171P4S45_0*			
71	Fabric outer cover 25x1.5 mm, cpl.	307P2528_A*			
72	Water-power cable Top 2000, black, HD	314P1622_0			
73	Water hose 2-C, black, 5x1.5 mm	303P070000			
75	PVC-Gas hose, black, 4.5x1.5 mm	302P010000			
76	Control cable x.30 m cpl.	301P2304_0*			
Wire guides					
▶ 100	Liner w/o insulation (x.40 m) for wire 1.0-1.2	322P2045_4*			
100	Liner w/o insulation (x.40 m) for wire 1.4-1.6	322P2545_4*			
110	PTFE-liner red (x.50 m) for wire 1.0-1.2	326P2040_5*			
110	PTFE-liner yellow (x.50 m) for wire 1.2-1.6	326P2747_5*			
111	Collet for liners 4.0 mm	331P020040			
111	Collet for liners 4.7 mm	331P027047			
112	O-ring 3.50x1.50 mm (for liner)	365P150035			
113	Support tube 5x4.4 mm, L=150 mm	329P544150			
120	PA-Alu wire guide (x.50 m) for wire 1.0-1.2	328P2040_A*			
120	PA-Alu wire guide (x.50 m) for wire 1.2-1.6	328P2347_A*			
120	PA-Alu wire guide (x.50 m) for wire 2.0-2.4	328P2947_A*			
Accessories					
150	Heat shield, upgrade kit	381P101006			

▶ = Standard equipment

* At the blank, please insert suitable information for torch length or wire diameter, e.g. 08 for 0.8 mm or 3 for 3 m.

© 2012 TBi Industries GmbH. All rights reserved. Subject to change without notice. Warranty only when using original TBi consumables and spare parts. Excerpts and reprints not permitted. Nr. DOKP111102, 07/2012.

TBi Industries GmbH
Ruhberg 14
D-35463 Fernwald-Steinbach
Postfach 67
D-35461 Fernwald-Steinbach

Tel. + 49 6404 9171-0
Fax. + 49 6404 9171-40
Internet: www.tbi-industries.com
E-mail: info@tbi-industries.com