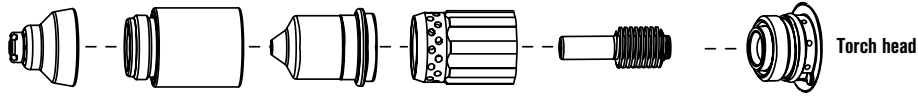


Hypertherm® powermax45®

T45v hand torch consumables

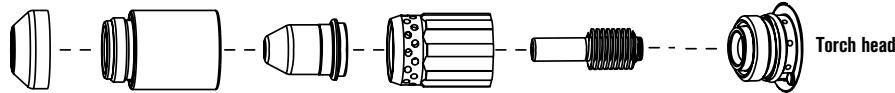


Shielded consumables



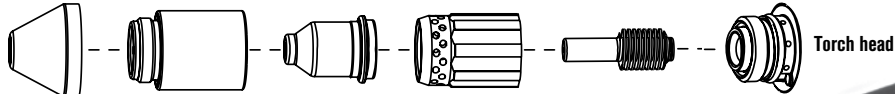
Shield	Retaining cap	Nozzle	Swirl ring	Electrode
220674	220713	220671	220670	220669

Unshielded* consumables



Deflector	Retaining cap	Nozzle	Swirl ring	Electrode
220717	220713	220718	220670	220669

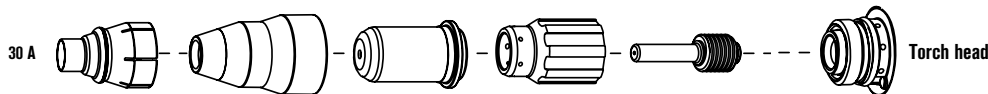
Gouging consumables



Shield	Retaining cap	Nozzle	Swirl ring	Electrode
220675	220713	220672	220670	220669



T30v consumables**



Deflector (optional)	Retaining cap	Nozzle	Swirl ring	Electrode
30 A 220569	220483	220480	220479	220478

All-in-one and FineCut kits available. Visit www.hypertherm.com/consumablekits or see pages 87 – 88 for options.

* In countries following CE standards, unshielded consumables may only be used in mechanized torch applications.

** Use T30v 30 A consumables for 30 A fine-feature cutting on thin metals.

TECHNOLOGIES

Dielectric shield

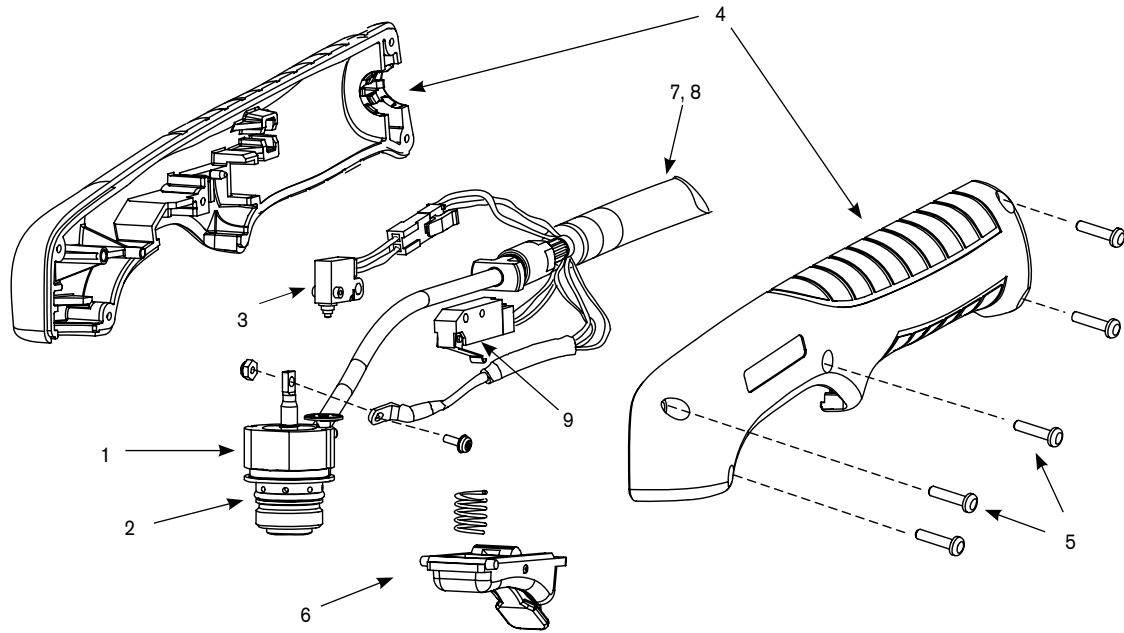
FastConnect™

Vented shield

Conical Flow™

Hypertherm, Powermax, FastConnect and Conical Flow are trademarks of Hypertherm, Inc. and may be registered in the United States and/or other countries.

T45v hand torch assembly



Assembly

Part number	Description
088008*	T45v hand torch assembly with 20' (6.1 m) leads
088009*	T45v hand torch assembly with 50' (15.2 m) leads
1. 228346	Kit: Torch body replacement
2. 058503	O-ring: torch body
3. 228109	Kit: Cap-sensor switch replacement
4. 228313	Kit: Handle
5. 075714	Handle screws
6. 002294	Safety trigger and spring replacement
7. 228315	Kit: Torch lead replacement, 20' (6.1 m)
8. 228316	Kit: Torch lead replacement, 50' (15.2 m)
228300	Work lead with clamp, 20' (6.1 m)
228307	Work lead with clamp, 50' (15.2 m)
9. 128642	Kit: T30v start switch replacement

*Assembly includes consumables

