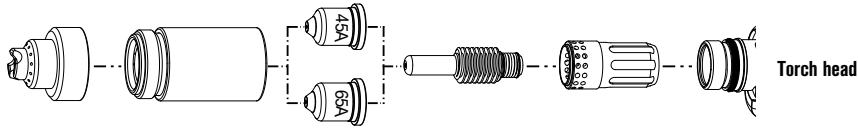


Hypertherm® powermax65®

H65 and H65s hand torch consumables

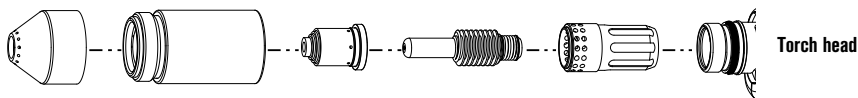


Drag-cutting consumables



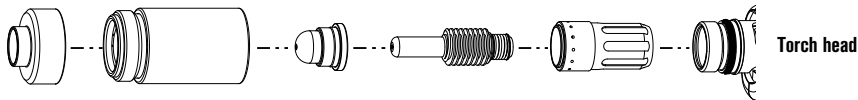
	Shield	Retaining cap	Nozzle	Electrode	Swirl ring
45 A	220818*	220854	220941*	220842*	220857
65 A	220818*	220854	220819*	220842*	220857

Gouging consumables



	Shield	Retaining cap	Nozzle	Electrode	Swirl ring
65 A	220798	220854	220797*	220842*	220857

FineCut consumables



	Shield/Deflector	Retaining cap	Nozzle	Electrode	Swirl ring
45 A	220931	220854	220930*	220842*	220947



Duramax™ series

All-in-one and FineCut kits available. Visit www.hypertherm.com/consumablekits or see pages 87 – 88 for options.

* Consumables available in multiple packaging options, see page 87 for bulk package information.

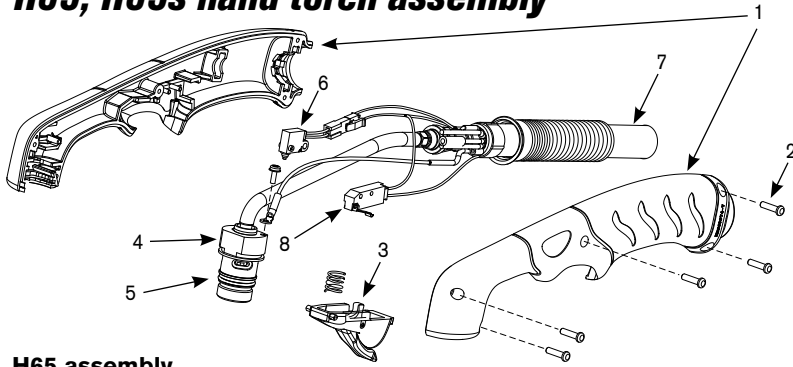
Hypertherm, Powermax, FineCut, FastConnect, Spring Start and Smart Sense are trademarks of Hypertherm, Inc. and may be registered in the United States and/or other countries.

TECHNOLOGIES

FineCut®
Dielectric shield
FastConnect™
Vented shield
Conical Flow
Spring Start™
Smart Sense™

powermax65[®]

H65, H65s hand torch assembly

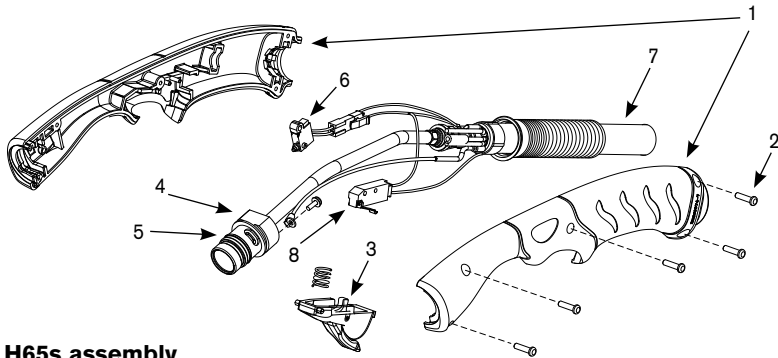


H65 assembly

Part number	Description
083247*	H65 Hand torch assembly with 25' (7.6 m) lead
083248*	H65 Hand torch assembly with 50' (15.2 m) lead
083249*	H65 Hand torch assembly with 75' (22.9 m) lead
1. 228717	Kit: H65/H85 Torch handle replacement
2. 075714	Handle screws, #4 x 1/2 slotted TORX pan head, S/B
3. 228721	Kit: H65/H85/H65s/H85s (spring and trigger assembly)
4. 228714	Kit: H65/H85 Torch main body replacement
5. 058519	O-ring
6. 228719	Kit: H65/H85 Cap-sensor switch replacement
7. 228723	Kit: H65/H85 Torch lead replacement, 25' (7.6 m)
7. 228724	Kit: H65/H85 Torch lead replacement, 50' (15.2 m)
7. 228725	Kit: H65/H85 Torch lead replacement, 75' (22.9 m)
8. 005252	Trigger start switch
223125†	Kit: 65 A Work lead with hand clamp, 25' (7.5 m) (not pictured)

*Assembly includes one set of drag-cutting consumables

†Other work lead options available



H65s assembly

Part number	Description
083251*	H65s Hand torch assembly with 25' (7.6 m) lead
083252*	H65s Hand torch assembly with 50' (15.2 m) lead
083253*	H65s Hand torch assembly with 75' (22.9 m) lead
1. 228718	Kit: H65s/H85s Torch handle replacement
2. 075714	Handle screws, #4 x 1/2 slotted TORX pan head, S/B
3. 228721	Kit: H65/H85/H65s/H85s (spring and trigger assembly)
4. 228715	Kit: H65s/H85s Torch main body replacement
5. 058519	O-ring
6. 228109	Kit: H65s/H85s Cap-sensor switch replacement
7. 228727	Kit: H65s/H85s Torch lead replacement, 25' (7.6 m)
7. 228728	Kit: H65s/H85s Torch lead replacement, 50' (15.2 m)
7. 228729	Kit: H65s/H85s Torch lead replacement, 75' (22.9 m)
8. 005252	Trigger start switch
223125†	Kit: 65 A Work lead with hand clamp, 25' (7.5 m)

*Assembly includes one set of drag-cutting consumables

†Other work lead options available

Hypertherm, Powermax, FineCut, FastConnect, Spring Start and Smart Sense are trademarks of Hypertherm, Inc. and may be registered in the United States and/or other countries.